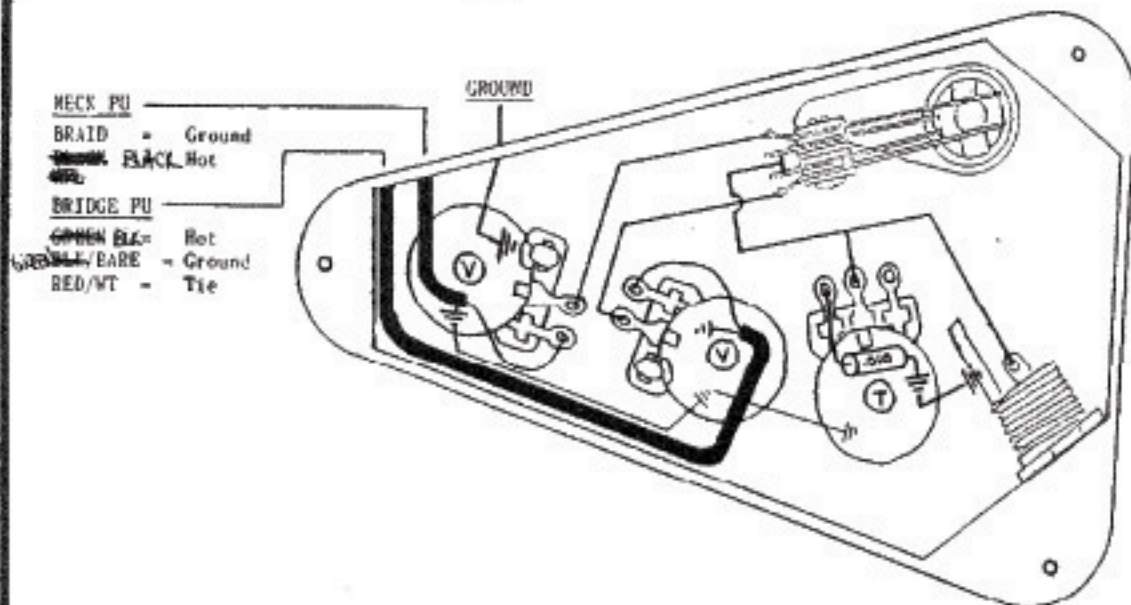


# HAMER USA

www.hamerfanclub.com



MODEL:

## SUNBURST ARCHTOP

GATC  
 GATS  
 GSBC  
 GSRC

**Special Instructions:**

1. Bridge PU wired reverse phase
2. Each Vol. pot acts as master volume in middle switch position
3. Use shrink tube on L-Toggle connections to avoid contacting shield point

DATE:

APRIL 21, 1991

DRAWN BY:

E. THIEL

Photo 1-8

Description:

2 Vol. / 1 Tone / L-Toggle / Mono Panel Jack